

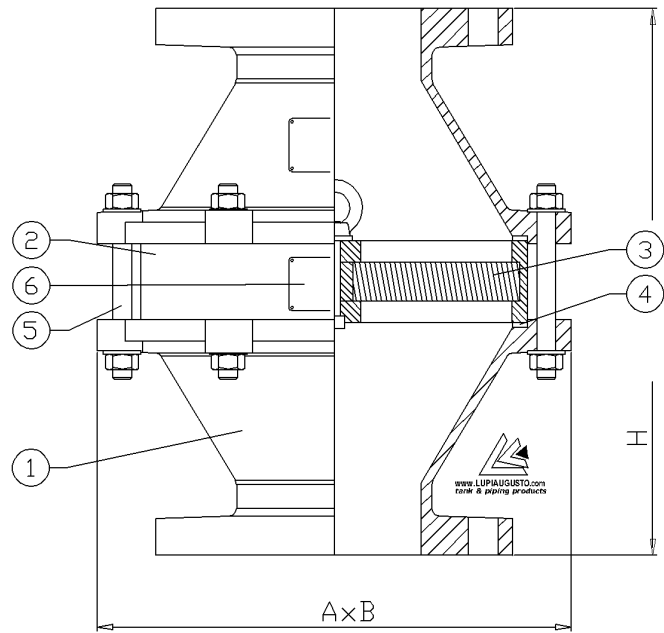
# FIG.421.1 END-OF-LINE DEFLAGRATION FLAME ARRESTER EN.12874



LUPI AUGUSTO TANK & PIPING PRODUCTS ITALY tel: +39 069370701 fax: +39 0697847415  
e-mail: [info@lupiaugusto.com](mailto:info@lupiaugusto.com) [lupiaugusto@tiscali.it](mailto:lupiaugusto@tiscali.it) web-site: [www.lupiaugusto.com](http://www.lupiaugusto.com)

Technical data	
Design code	EN.12874
Design pressure	0.5 Bar
Design temperature	-10/+120 °C
Installation	End-of-line, at pipe end or on tank top
Max operating pressure	0.5 Barg
Max operating temperature	60 °C
Gas group	IIA
Atex certificate	Ex-GIIA
Factory tested:	-body pressure 0.7 Bar -dimensional
Size	from 2" to 12"
Connections	ANSI 150# FF or UNI PN 10/16 FF
External protection:	aluminium paint as std or epoxy RAL 2004

Dimensions and weights				
DN (xx)	Dimensions (mm)			Weight (kg)
	A	B	H	
2"	211	211	230	6
3"	250	250	280	10
4"	305	305	330	13
6"	395	395	385	22
8"	470	470	465	44
10"	550	550	525	60
12"	650	650	625	100



Not for long-period or endurance burning

Materials and product codes for Fig.421.1 End-of-line Deflagration Flame Arrester			
Items	Description	Materials	
1	Body	Aluminium	Alum/PTFE lined
2	Housing	Aluminium	Alum/PTFE lined
3	Elements	SS316L	SS316L
4	Gaskets	Asbestos free	Teflon®
5	Bolts	Galv.s steel	SS304
6	Label	SS304	SS304
<b>Product code with ANSI flange</b>		421.1.xx.101	421.1.xx.103
<b>Product code with UNI flange</b>		421.1.xx.102	421.2.xx.104

Neoprene® Viton® Teflon® Teflon®FEP Kalrez® are DuPont's™ trademarks. DuPont™ is a trademark of DuPont™ and its affiliates.